

77 44 041 Installing lid finisher for topcase lid

+ 77 44 541

Equipment trim-level variant:

Lid finisher for topcase lid^{OA}

Preparatory work

Open the topcase

Core activity

(-) Installing lid finisher

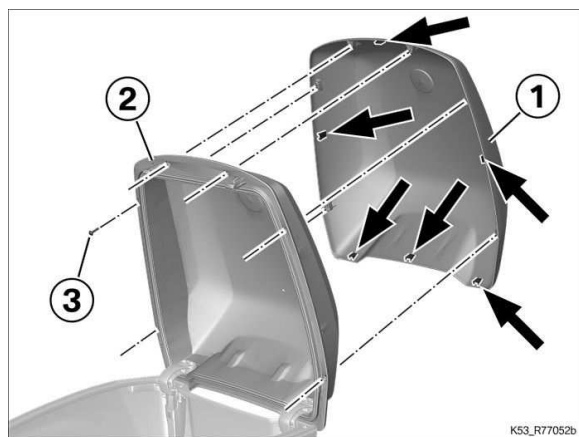
Requirement

- Topcase lid is open.



NOTICE

If the backrest pad is to be installed along with the lid finisher, install the backrest pad first, then the lid finisher.



- Position lid finisher (1) on topcase lid (2). In this process, note the locating lugs (arrows).
- Install screws (3), starting with the top right screw, and then tighten in diagonally opposite sequence.

Tightening torques		
Lid finisher to topcase lid		
Screw for plastic, 4 x 12	1.5 Nm	

(-) Installing BMW badge

NOTICE

Faces that will be in contact with the adhesive must be dry, clean and free from dust and grease.



- Peel the backing strip off **BMW** badge (1).
- Centre **BMW** badge (1) on contour worked into lid finisher (2) and glue it in position.

Finishing work

Close the topcase

Final check of work performed